

96178 Tune-Up Kit

**For Use With All:
.7Hp/Planetary Geared/Right-Angle Models**

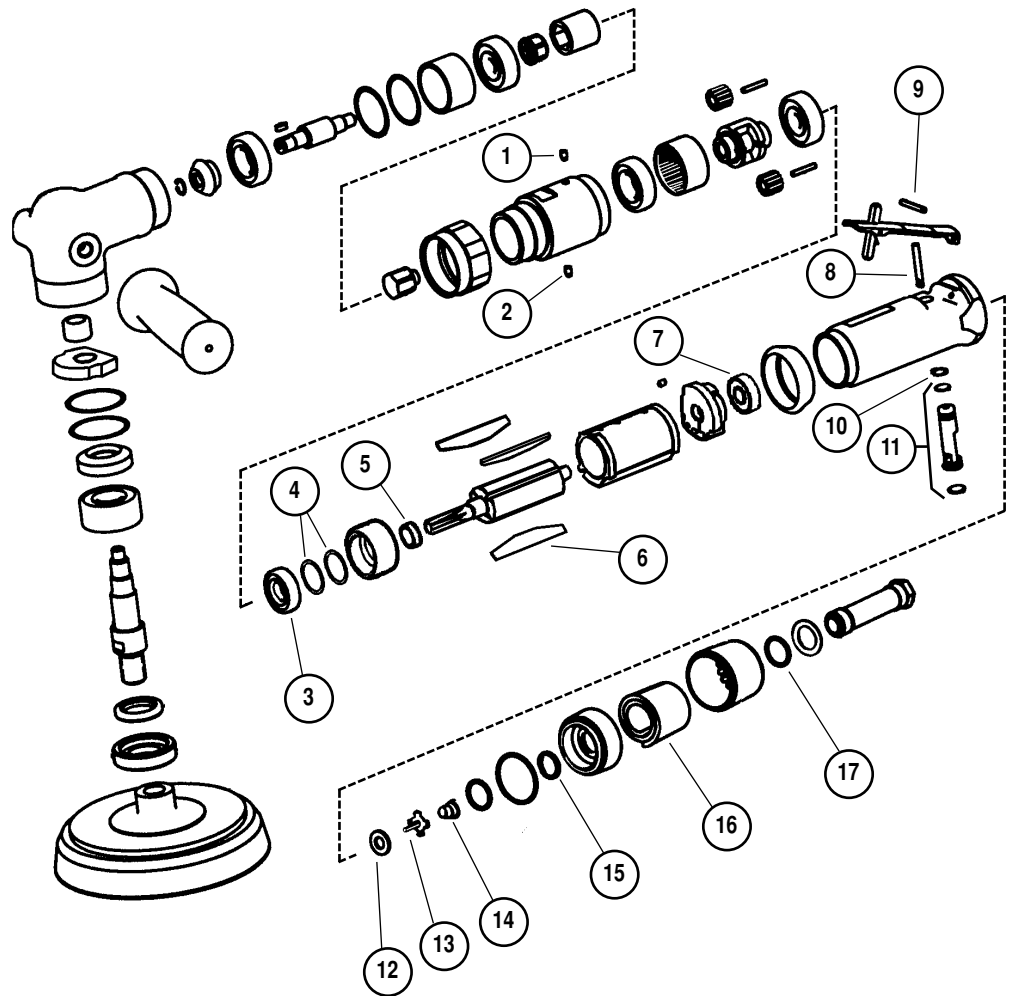
Air Motor and Machine Parts

Parts included in Tune-Up Kit are identified by part number.

Please refer to appropriate parts page for additional identification and assembly/disassembly instructions.

Index Key

No.	Part #	Description
1	04014	Screw
2	01041	Grease Fitting
3	01007	Bearing
4	01121	Shim Pack (3/pkg.)
5	01010	Spacer
6	01185	Blade Set (4/pkg.)
7	02649	Bearing
8	01477	Valve Stem
9	01017	Pin
10	95558	Retaining Ring
11	01247	Speed Regulator Assy.
12	01464	Seal
13	01472	Tip Valve
14	01468	Spring
15	95711	Retaining Ring
16	94528	Felt Silencer
17	95375	O-Ring



Visit our new Web Site: www.dynabrade.com

Email: Customer.Service@Dynabrade.com



DYNABRADE, INC., 8989 Sheridan Drive • Clarence, NY 14031-1490 • Phone: (716) 631-0100 • Fax: 716-631-2073 • International Fax: 716-631-2524
DYNABRADE EUROPE S.à.r.l., Zone Artisanale • L-5485 Wormeldange—Haut, Luxembourg • Telephone: 352 76 84 94 1 • Fax: 352 76 84 95 1

© DYNABRADE, INC., 2001

PRINTED IN USA